

Phoenix Customs

Air Shock Removal and Shipping Instructions

- Using a safety approved bike lift or floor jack lift bike off the floor just enough to release pressure off rear tire. Before proceeding to the next step make sure bike is secure so not to cause injury to self or damage to bike.
- Remove the Saddlebags from the motorcycle.
- Remove the air hoses from the shocks. This is done by pressing the plastic collar down on the air hose fittings and pulling hose away from fitting. See Figure 1 and Figure 2.

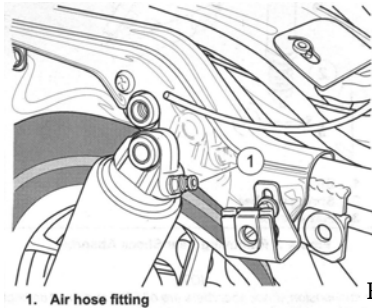


Figure 1

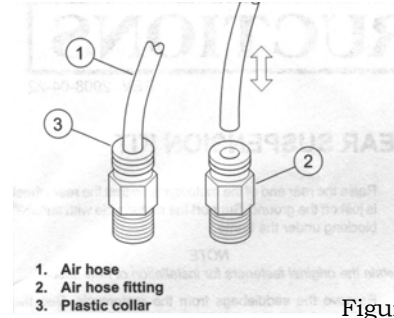


Figure 2

- Using a $7/16$ wrench remove the air hose fitting and replace with a $1/8$ " tapered pipe plug. This will prevent oil leakage during transportation. Keep air hose fittings as you will reuse them.

Note: $1/8$ " tapered pipe plug can be purchased at most local hardware stores.

NOTE: If shocks are shipped **without a proper plug**, leakage of oil will occur. This could cause shipping container to become weak and may cause loss of contents. The oil leakage may also cause shipment to be held by Freight Company.

- Remove the lower mounting bolts, spring washers and flat washers from the shocks and then repeat with the upper mounting bolts and washers. See Figure 3.
- Wrap shocks individually with bubble wrap before placing in shipping container to prevent damage to shocks during transportation.
- Fill excess space in shipping container to prevent shocks from moving around during transportation.

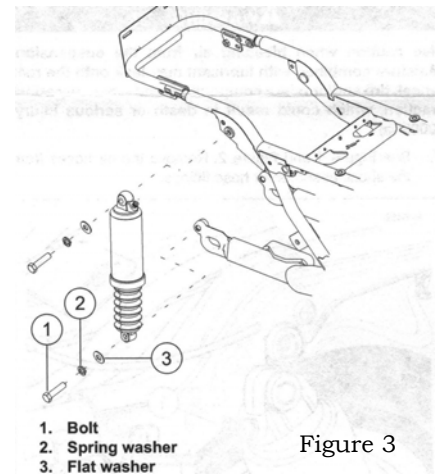


Figure 3

- Ship Air Shocks with indicated drop size, rider and passenger weight to the address listed below. Be sure to include return address and contact information in shipment.

Phoenix Customs

3015 East Main Street, #108
Mesa, AZ 85213

Service cost (service being performed to customer's provided shocks is \$175.00) including freight (\$12.00) will be a total of **\$187.00**. Please indicate when shipping how you would like to handle payment. Our payment options are as follows:

- 1) **Cashier's check** - Include payment in shipment with shocks
- 2) **PayPal** - Provide e-mail address with shipment
- 3) **Credit Card** - You will be contacted for card information when shocks are ready for shipment.